

VAISALA

Compressed Air Brochure

Measuring small changes can add to
immeasurable results



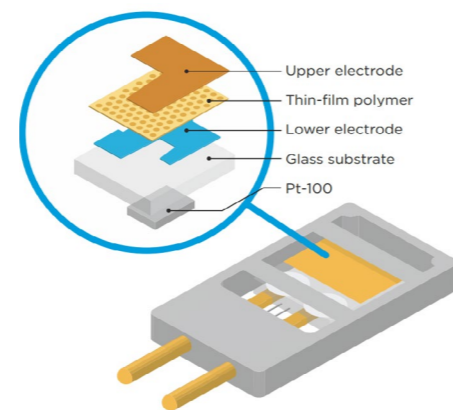
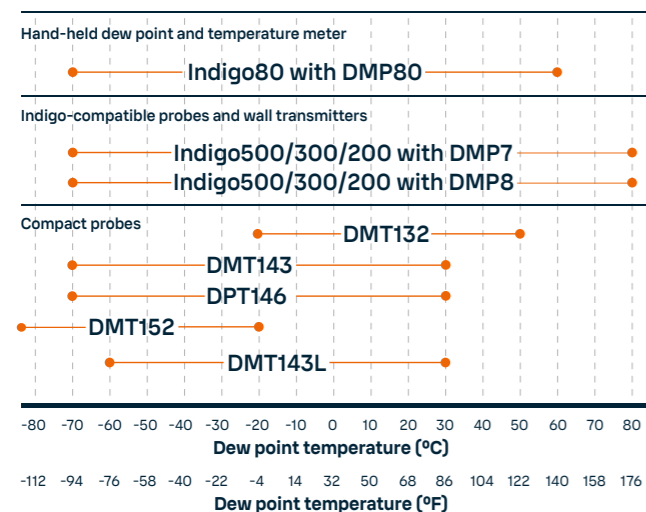
Measuring small changes can add to immeasurable results

When dealing with compressed air, measuring small changes in dew point temperature can really make a difference. The benefit from our unique DRYCAP® sensor technology covers the full dew point range for practically any compressed air system. Increasing the life of your compressed air system, improving process quality and lowering costs is now easier than ever.

Vaisala instruments can accurately measure every quality class of compressed air

Whatever your application, you'll find the optimal dew point instrument from the Vaisala portfolio. All Vaisala sensors withstand exposure to contaminants like water spikes, ambient humidity, compressor oil and chemical impurities.

Optimal measurement range for each product



- Vaisala DRYCAP® sensor**
- excellent accuracy and stability
 - high chemical tolerance
 - sensor purge and warming
 - fast response time (avg. dry-to-wet 5 s / wet-to-dry 45 s)

01

Material savings through quick reaction time

Vaisala dew point measurement products have some of the fastest wet-to-dry and dry-to-wet response times in the market. You can spot changes in production conditions immediately and avoid wasting materials and production time.

02

Energy savings through continuous measurement stability

You can rely on Vaisala's patented auto-calibration function to maintain the measurement stability and keep the production conditions optimized.

03

Cost savings through accurate measurement

Vaisala's dew point measurement products help you optimize the moisture levels of your production process, and to prevent unwanted developments such as corrosion of equipment or growth of bacteria. This will help to ensure high-quality compressed air and first-class end-products.



The Vaisala Indigo family is a customizable instrument platform designed to improve process measurements.

The Indigo family's key feature is modularity. It contains a selection of transmitters, interchangeable smart probes that measure various parameters, and software for easy interfacing and monitoring of data.

» [Read more about the Indigo ecosystem and the interchangeable measurement probes.](#)

Indigo-compatible probes and sampling cells



DMP7

dewpoint and temperature probe for remote installations in tight spaces

- For remote installations in tight spaces
- Superior chemical resistance
- Pressure up to 10 bar
- Modbus RTU over RS-485 for flexible connectivity
- Compatible with Indigo Series transmitters
- DRYCAP® sensor technology
- Thread adapters and other accessories available



DMP8

dewpoint and temperature probe with adjustable installation depth for pressurized pipelines <40 bars

- Adjustable installation depth
- Pressure up to 40 bar
- Compatible with Indigo Series transmitters
- DRYCAP® sensor technology
- BALLVALVE-1 Ball Valve set
- Thread adapters and other accessories available



SAMPLING CELLS

[Learn more about sampling cells](#)

- DMT242SC ISO threaded sample cell
- SC-025NPT NPT threaded sample cell
- DMT242SC2 sample cell with swagelok 1/4" male connectors
- DSC74 sample cell with quick connector and leak screw
- DSC74B Two-pressure sampling cell with coil
- DSC74C Two-pressure sampling cell with coil
- DSS70A For pressurized processes up to 20 bar cooling coil

Compact probes for original equipment manufacturers



DMT132

dewpoint transmitter for refrigerant dryers

- Affordable, yet highly accurate: $\pm 1\text{ }^\circ\text{C}$ ($\pm 1.8\text{ }^\circ\text{F}$) in refrigerant dryer measurement range
- Excellent long-term stability – resistant to compressor oil
- Low powered, 10 ... 28 VDC
- Pressure up to 20 bar
- HUMICAP® sensor technology



MINIATURE DMT143 & DMT143L (LONG)

dewpoint transmitters for industrial dryers and tight spaces

- Small size for compact industrial dryer applications
- Stable and cost-efficient
- LED alarm for exceeded dew point level
- DMT143: pressure up to 50 bar
- DMT143L: pressure up to 20 bar
- DRYCAP® sensor technology



DPT146

dewpoint and pressure transmitter for simultaneous dew point and process pressure measurements

- The first transmitter with combined dew point and pressure measurement
- Compatible with Vaisala Handheld Indigo80 for easy spot-checking, local display and data logging
- Pressure up to 12 bar
- DRYCAP® and BAROCAP® sensor technology



DMT152

dewpoint transmitter for very dry applications

- Measurement range down to $-80\text{ }^\circ\text{C}$ ($-112\text{ }^\circ\text{F}$)
- Pressure up to 50 bar
- DRYCAP® sensor technology



» Visit vaisala.com/compressedair for more information about the available instruments and accessories.

Please don't hesitate to contact us for questions.

Indigo series transmitters



INDIGO500

series transmitters for easy data evaluation and visualization

- Color touch screen display
- 2-4 analog outputs (mA/Vdc selectable)
- 2x relays
- 24Vdc or 120Vac power options
- Data logging
- Ethernet port, web user interface, Modbus TCP/IP



INDIGO300

series transmitters for analog outputs and visualization

- Color display
- IP65 metal housing
- 24 V AC/DC power supply input
- 3 pre-configured analog outputs (mA or V)
- Service port on the front



INDIGO200

series transmitters for analog outputs and visualization

- 1 interchangeable probe connection (direct or with extension cable)
- Up to 3 parameters can be shown
- Display or display-less version
- 3 analog outputs (mA/Vdc selectable)
- 2x relays
- 24Vdc Power

Related products



INDIGO80 HANDHELD

indicator with DMP80 for field sampling and calibration, data analysis and diagnostics

- Wide dew point measurement range
- Dual-probe, high-accuracy portable diagnostics and data logging tool
- Industry standard USB-C interface
- Interactive multilingual menu-based user interface (EN, DE, ES, FI, FR, JA, SV, ZH, IT, PT)



REMOTE DISPLAYS

- Nokeval 301 4-20mA, loop-powered
- Nokeval 302 4-20mA, loop-powered, alarm relays



CONNECTION CABLES

- M12/5 pin Male/Female extension cables
- M12/5 pin open leads
- M8/4 pin Male/Female extension cables
- M8/4 pin open leads
- ... and more

VAISALA

Ref. B212711EN-B ©Vaisala 2024

This material is subject to copyright protection, with all copyrights retained by Vaisala and its individual partners. All rights reserved. Any logos and/or product names are trademarks of Vaisala or its individual partners. The reproduction, transfer, distribution or storage of information contained in this brochure in any form without the prior written consent of Vaisala is strictly prohibited. All specifications – technical included – are subject to change without notice.

vaisala.com

